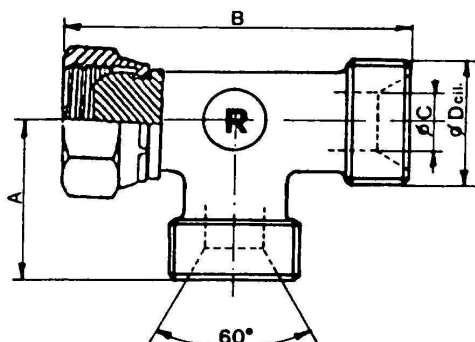
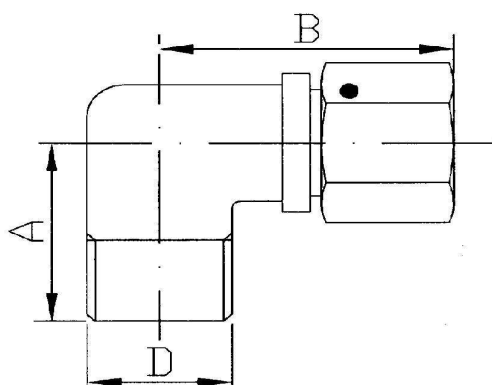


ADATTATORI GIREVOLI / TURNING UNIONS



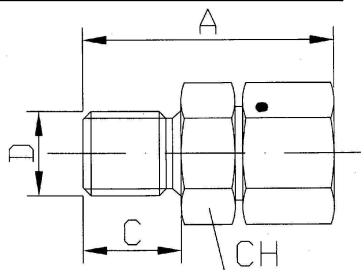
T MASCHIO+femmina girevole laterale/T MALE+turning lateral female

ARTICOLO	D	C	A	B
R20702	3/8 G	9	25	60
R20703	1/2 G	12	29	65



90° MASCHIO+femmina girevole /90° MALE+turning female

ARTICOLO	D	Ch	A	B
R20801	1/4 G	19	26	33
R20803	1/2 G	27	35	42
R20804	3/4 G	32	39	52

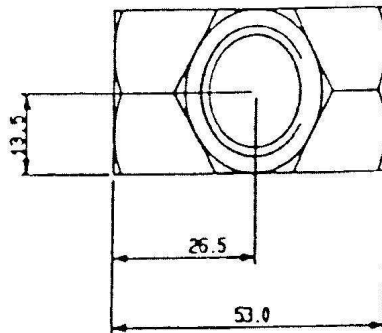
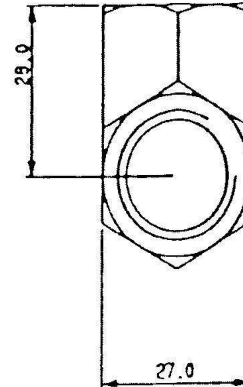
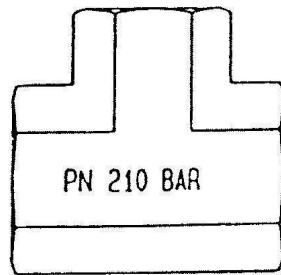


RACCORDO DIRITTO M/F girevole/MALE-FEMALE turning nipples

ARTICOLO	D	C	A	CH
R20901	1/4 G	11	35	19
R20902	3/8 G	13	38	22
R20903	1/2 G	15	44	27
R20905	1 G	19	59	41
R20906	1 1/4 G	21	64	50
R20907	1 1/2 G	23	70	55

ADATTATORI A "T"

"T" UNIONS

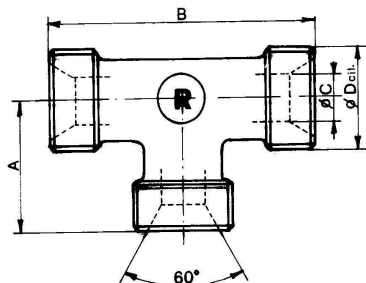


FEMMINA TIPO COMPACT/COMPACT FEMALE

ARTICOLO	D	C	A	B
R10207	3/8 G	9	28	53
R10208	1/2 G	12	28	53

ADATTATORI A "T" MASCHIO

"T" UNION MALE



CILINDRICO

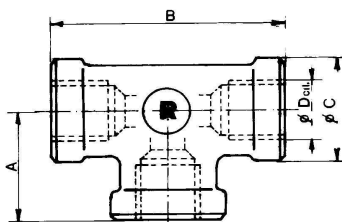
ARTICOLO	D	C	A	B
R10101	1/4 G	7	21	48
R10102	3/8 G	9	25	54
R10103	1/2 G	12	29	59
R10104	3/4 G	16	32	65
R10105	1 G	20	38	74
R10109	14 MB	7	25	50
R10106	16 MB	8	25	50
R10107	18 MB	10	25	54
R10108	22 MB	12	30	60

CONICO CENTRALE

ARTICOLO	D	C	A	B
R20601	1/4 G	7	24	48
R20602	3/8 G	9	30	53
R20603	1/2 G	12	35	59
R20604	3/4 G	16	39	65
R20605	1 G	19	43	73
R20606	1 1/4 G	27	55	92
CONICO LATERALE				
R20608	1/4 G	7	25	51
R20607	3/8 G	9	28	56
R20609	1/2 G	12	30	66
R10120	18 MB	9	30	62

ADATTATORI A "T" FEMMINA

"T" UNION FEMALE



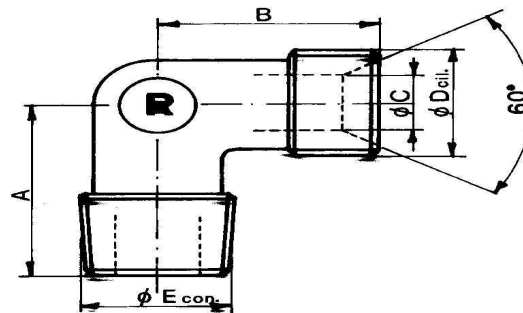
ARTICOLO	D	C	A	B
R10200	1/8 G	16	20	38
R10201	1/4 G	22	24	49
R10202	3/8 G	27	27	55
R10203	1/2 G	30	30	60
R10204	3/4 G	38	33	68
R10205	1 G	45	40	80
R10212	18 MB	27	30	54

N.B. A richiesta tutti i raccordi del presente catalogo possono essere eseguiti con filetti diversi.

At your request every connections presented in this catalogue can be carried out with different threads.

ADATTATORI A 90°

90° UNIONS



MASCHIO CON/CIL-MALE CON/CYL

ARTICOLO	E	D	C	B	A
R10299	1/8 G	1/8 G	4	23	24
R10300	5/8 G	5/8 G	13	30	37
R10301	1/4 G	1/4 G	7	23	28
R10302	3/8 G	3/8 G	9	25	32
R10303	1/2 G	1/2 G	12	30	34
R10304	3/4 G	3/4 G	16	32	38
R10305	1 G	1 G	20	36	46
R10307	18 MB	18 MB	9	26	30
R10308	1/4 G	3/8 G	9	24	26
R10309	3/8 G	1/4 G	7	23	30
R10310	3/8 G	1/2 G	12	30	34
R10311	1/2 G	3/8 G	9	30	34
R10312	3/4 G	1 G	18	38	40
R10313	1 G	3/4 G	16	38	43
R10314	18 MB	1/2 G	10	30	28
R10319	1 1/4 G	1 1/4 G	27	47	53
R10315	18 MB	1/4 G	7	24	30
R10316	3/8 G	16 MB	9	24	30
R10317	1/2 G	3/4 G	16	31	35
R10318	3/4 G	1/2 G	12	33	38
R10324	1/8 G	1/4 G	7	22	23

N.B. A richiesta tutti i raccordi del presente catalogo possono essere eseguiti con filetti diversi.

At your request every connections presented in this catalogue can be carried out with different threads.

MASCHIO CON/CON-MALE CON/CON

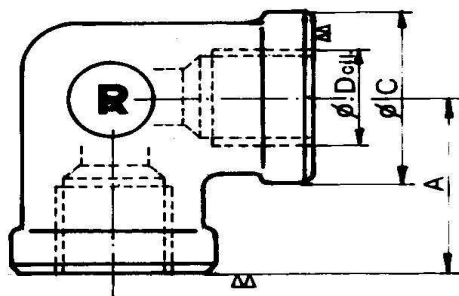
ARTICOLO	E	D	C	B	A
R10321	1/4 G	1/4 G	7	28	28
R10322	3/8 G	3/8 G	9	30	30
R10323	1/2 G	1/2 G	12	31	31
R10325	1/4 G	3/8 G	9	30	26

MASCHIO CIL/CIL-MALE CYL/CYL

ARTICOLO	E	D	C	B	A
R10306	18 MB	18 MB	9	25	25
R10320	3/8 G	3/8 G	9	22	22

ADATTATORI A 90°

90° UNIONS

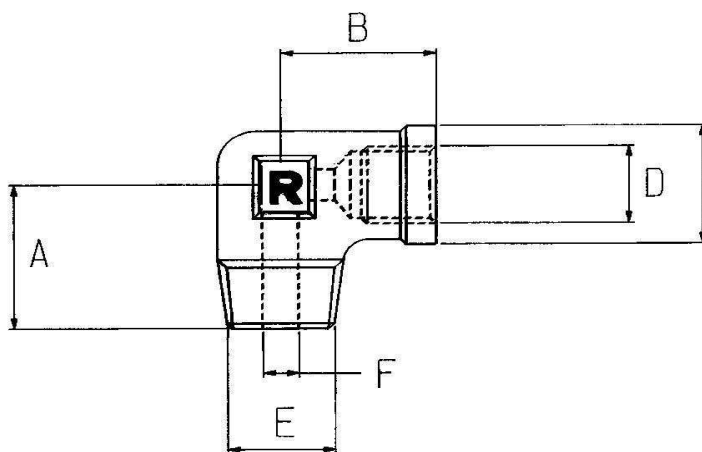


FEMMINA/FEMALE

ARTICOLO	D	C	A
R10400	1/8 G	16	18
R10401	1/4 G	22	24
R10402	3/8 G	25	25
R10403	1/2 G	30	30
R10404	3/4 G	36	33
R10405	1 G	45	40
R10406	16 MB	25	27
R10407	18 MB	27	30
R10408	22 MB	30	30

N.B. A richiesta tutti i raccordi del presente catalogo possono essere eseguiti con filetti diversi.

At your request every connections presented in this catalogue can be carried out with different threads.

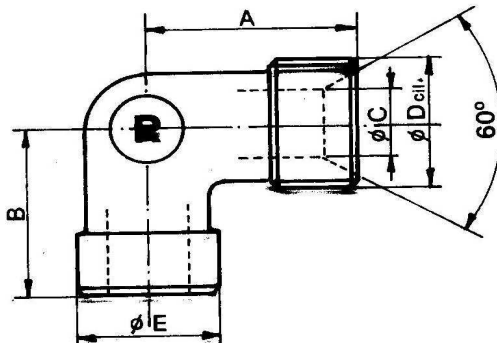


MASCHIO/FEMMINA-MALE/FEMALE

ARTICOLO	A	B	C	D	E
R30600	26	16	17	1/8 G	1/8 G CON
R30601	32	24	20	1/4 G	1/4 G CON
R30602	34	26	24	3/8 G	3/8 G CON
R30603	38	29	30	1/2 G	1/2 G CON
R30604	50	34	36	3/4 G	3/4 G CON
R30605	55	45	46	1 G	1 G CON
R30606	35	27	25	1/2 G	3/8 G CON

ADATTATORI A 90°

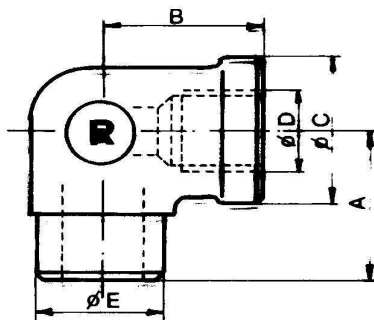
90° UNIONS



MASCHIO A SALDARE/MALE TO SOLDER

ARTICOLO	D	E	C	A	B
R10501	1/4 G	16	7	23	22
R10502	3/8 G	16	9	25	26
R10503	1/2 G	22	12	30	30
R10504	3/4 G	27	16	32	30
R10505	1 G	32	20	38	45
R10506	16 MB	20	8	23	31
R10507	18 MB	17	9	26	26
R10509	20 MB	22	11	28	28
R10508	22 MB	22	12	30	30

N.B. A richiesta tutti i raccordi del presente catalogo possono essere eseguiti con filetti diversi.

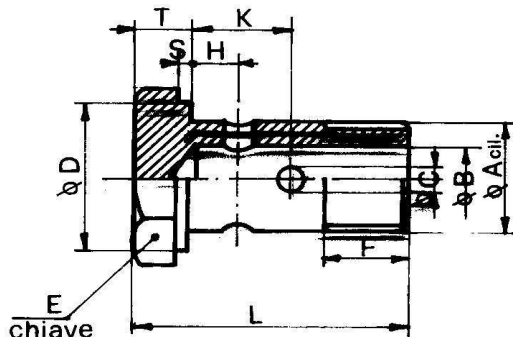


At your request every connections presented in this catalogue can be carried out with different threads.

FEMMINA A SALDARE/FEMALE TO SOLDER

ARTICOLO	D	E	C	A	B
R20501	1/4 G	16	22	24	26
R20502	3/8 G	20	25	25	25
R20503	1/2 G	24	30	28	28
R20504	3/4 G	30	36	38	32
R20505	1 G	35	45	38	40
R20506	16 MB	18	25	23	23
R20507	18 MB	17	27	23	24
R20508	22 MB	22	30	28	28

VITI FORATE/PIERCED SCREWS



ARTICOLO	A	B	C	D	E	F	H	K	T	S	L
R10601	M8X1	3	2,5	12	12	10	5	5	5	1	22
R10602	M10X1-1.5	5	3	14	14	11	3,5	6,5	5,5	1	24
R10603	12 MB	6	4	17	17	12	6	8	6	1	30
R10604	14 MB	9	5	19	19	12	6	9	6	1	33
R10605	16 MB	9	5	22	22	15	7	11	7	1	39
R10606	18 MB	11	6,5	24	24	15	8	18	8	1	44
R10606/H.50	18 MB	10	5	27	27	19	11	18	8	1	50
R10608	20 MB	12	7	27	27	15	8	18	8	1	50
R10609	22 MB	14	8	27	27	16	9	18	8	1	47
R10610	24 MB	15	9	32	32	16	9	18	8	1	49
R10611	1/4 G	7	5	19	19	12	6	9	6	1	33
R10612	3/8 G	9	5	22	22	16	7	11	7	1	40
R10612/24	3/8 G	10	5,5	24	24	17	9	14	7	1	39
R10613	1/2 G	13	8	27	27	16	9	15	8	1	46
R10613/H.50	1/2 G	12	6	27	27	21	10	17	9	1	50
R10615	3/4 G	15	8	36	36	20	11	18	10	1	55
R10615/32	3/4 G	15	8	32	32	21	12	18	10	1	55
R10625	1 G	22	11	40	40	27	18	23	13	1	70

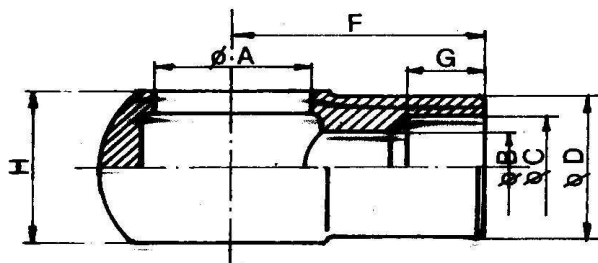
VITI FORATE DOPPIE/DOUBLE PIERCED SCREWS

ARTICOLO	A	B	C	D	E	F	H	K	T	S	L
R10633	1/4 G	7	5	19	19	15	10	22	7	1	51
R10634	3/8 G	9	5	22	22	16	10	29	8	1	62
R10635	1/2 G	11	8	27	27	22	15	32	10	1	75
R10636	3/4 G	17	10	36	36	20	15	44	10	1	85
R10630	18 MB	11	6,5	27	27	22	12	36	11	1	78
R10631	20 MB	12	7	27	27	23	15	37	10	1	77
R10632	22 MB	14	8	27	27	25	14	37	10	1	77

VITI FORATE CON SEDE PER OR/PIERCED SCREWS WITH O RING SEAT

ARTICOLO	A	B	C	D	E	F	H	K	T	S	L
R10619	3/8 G	9	5	24	24	17	9	14	7	1	39
R10620	1/2 G	13	8	30	30	20	12	18	8	1	49
R10621	3/4 G	17	8,5	38	38	20	13	20	10	1	54
R10623	1 1/4 G	29	15	60	52	20	14,5	22	21	7	73
R10624	1 1/2 G	34	16	64	52	20	18	22	21	7	77

OCCHI ORIENTABILI/SLEWING EYES



FEMMINA STAMPATO/PRINTED FEMALE

ARTICOLO	X VITE	A	B	C	D	F	G	H
R10706	18 MB	18	13	17	24	34	14	25
R10707	20 MB	20	13	17	22	39	15	24
R10708	22 MB	22	14	17	25	35	15	25
R10709	24 MB	24	14	17	25	35	15	25
R10712	1/2 G	21,5	14	17	25	35	15	25
R10712/18	1/2 G	21,5	14	18	25	35	15	25
R10713	5/8 G	23	18	18	25	35		28
R10714	3/4 G	27	16	19	27	40	15	28

FEMMINA TORNITO/TOURNEED FEMALE

R10701	8 MB	8,5	3	5	8	15	8	8,5
R10702	10 MB	10	5	6,5	9	18	6,5	10
R10703	12 MB	12	5	8	11	22	10	12
R10704	14 MB	14	8	10	13	25	11	14
R10705/T	16 MB	16	8	12	16	27	8,5	17
R10706/T	18 MB	18,5	11,5	15	18	28	11	20
R10710/T	1/4 G	13	7	10	13	25	11	13
R10711	3/8 G	17	10	12	16	28	13	17
R10711/T	3/8 G	17	8	10	16	26	12	17
R10712/T	1/2 G	21	12	18	21	34	13,5	22
R10714/T	3/4 G	37	17	22	28	40	15	30
R10715/T	1 G	33,5	22	27	33	47	16	35

N.B. A richiesta tutti i raccordi del presente catalogo possono essere eseguiti con filetti diversi.

At your request every connections presented in this catalogue can be carried out with different threads.

rac-fil oleodinamica

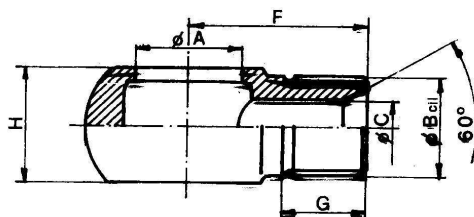
Via S.Orsola, 76/a -BRESCIA-

Tel. 030-360733 Fax 030-3760225

RACCORDI IN ACCIAIO PER ALTE PRESSIONI

HIGH PRESSURE STEEL CONNECTIONS

OCCHI ORIENTABILI/SLEWING EYES



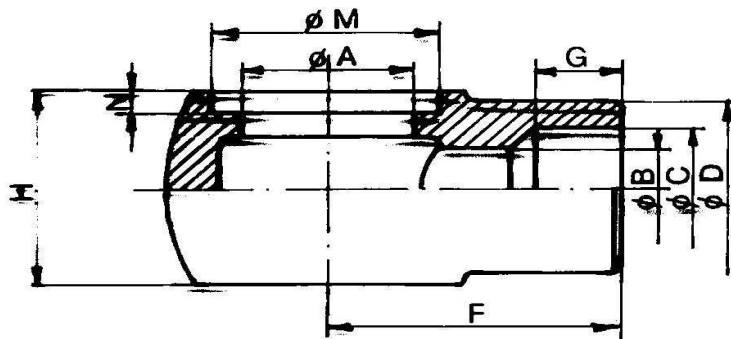
MASCHIO FILETTATO STAMPATO/MALE THREADED PRINTED

ARTICOLO	X VITE	A	B	C	F	G	H
R10801	18 MB	18,3	18 MB	10	35	18	25
R10802	18 MB	18,3	22 MB	13	35	18	25
R10803	20 MB	21	20 MB	10,5	38	15	23
R10804	22 MB	22,5	22 MB	12	35	18	26
R10805	22 MB		1/2 G				
R10807	1/2 G	21,5	1/2 G	12	35	17	25
R10808	1/2 G	21,5	22 MB	13	35	17	25
R10809	3/4 G		22 MB				
R10810	3/4 G	26,5	1/2 G	12	40	18	28
R10811	3/4 G	26,5	3/4 G	16	40	17	28
R10815	18 MB	18,5	1/2 G	12	35	17	25
R10818	1/2 G	21,3	18 MB	10	35	17	25
R10819	1/2 G	21,3	3/8 G	9	35	15	25
R10821	3/4 OR	26,5	3/4 G	15	44	19	32
R10823	3/4 G	26,5	18 MB	10	40	17	28
R10824	18 MB		3/8 G				
R10826	16 MB		18 MB				

MASCHIO FILETTATO TORNITO/MALE THREADED TOUNED

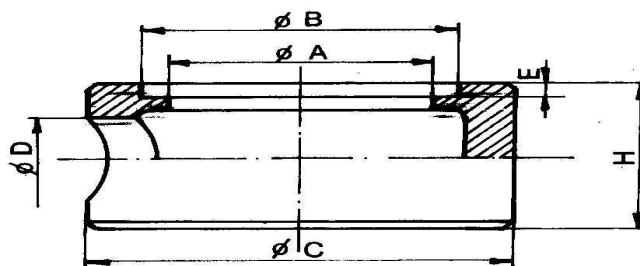
R10799	14MB		14 MB				
R10800	16 MB		16 MB				
R10801/T	18 MB	18	18 MB	10	30	17	20
R10802/T	18 MB		22 MB				
R10804/T	22 MB		22 MB				
R10805/T	22 MB	22	1/2 G	11,5	33	17	22
R10806/T	3/8 G	17	3/8 G	9	27	14	17
R10807/T	1/2 G	21,3	1/2 G	12	34	17	22
R10808/T	1/2 G	21	22 MB	12	33	15	24
R10809/T	3/4 G	27	22 MB	12	40	17	30
R10810/T	3/4 G		1/2 G				
R10811/T	3/4 G	27	3/4 G	16	40	18	29
R10812/T	14 MB	14,5	1/4 G	6	25	15	14
R10813/T	14 MB		3/8 G				
R10814/T	16 MB	16,5	1/4 G	7	30	16	19
R10815/T	18 MB	18,3	1/2 G	12	30	16	22
R10816/T	1/4 G	13	1/4 G	7	24	14	14
R10817	3/8 G	17	1/4 G	7	25	12	17
R10818/T	1/2 G	21,5	18 MB	10	32	16	22
R10819/T	1/2 G	21,5	3/8 G	9	32	15	22
R10822/T	3/8 G	17	18 MB	10	29	16	20
R10823/T	3/4 G	27	18 MB	10	40	17	30
R10824/T	18 MB	18,3	3/8 G	9	29	15	20
R10825	16 MB		14 MB				
R10826/T	16 MB		18 MB				

OCCHI ORIENTABILI/SLEWING EYES



CON SEDE "OR"/WITH "O RING" SEAT

ARTICOLO	X VITE	A	B	C	D	F	G	H	M	N
R10901	18 MB	18,3	13	17	22	35	14	25	24,5	2
R10902	20 MB	27	13	17	24	35	14	25		
R10903	22 MB	22,3	17	17	25	40		27	28	2
R10908	24 MB									
R10904	3/8 G	17	10	12,5	16,5	28	14	18	23	2
R10905	1/2 G	26	2	13	25	35	14	27	28	2
R10906	3/4 G									
R10907	1 G	33,6		25,5	37	52		40	42	3



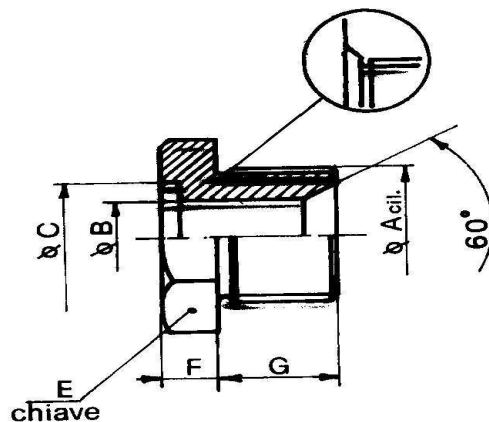
CON SEDE "OR" PASSAGGIO DIRITTO/WITH "O RING" SEAT DIRECT PASSAGE

ARTICOLO	X VITE	A	B	C	D	E	H
R11001	1 1/4 G	42,3	50	69	20	3	35
R11002	1 1/2 G	48,2	56	76	22	3	39

N.B. A richiesta tutti i raccordi del presente catalogo possono essere eseguiti con filetti diversi.

At your request every connections presented in this catalogue can be carried out with different threads.

NIPPLES SEMPLICI/SINGLE NIPPLES

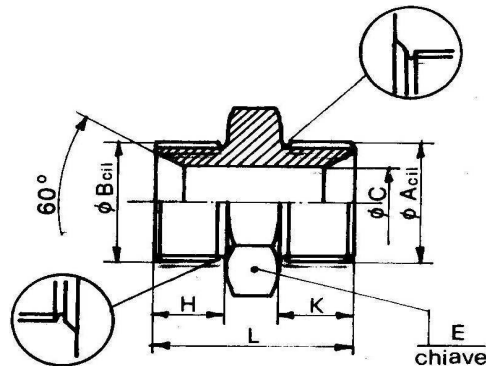


ARTICOLO	A	B	C	E	F	G
R11101	14 MB	7	14	19	7	13
R11102	16 MB	9	14	19	7	13
R11103	18 MB	10	18	22	10	14
R11104	18 MB	10	18	24	10	14
R11105	20 MB	11	15	22	8	14
R11106	22 MB	12,5	18	24	10	14
R11107	24 MB	14,5	18	27	8	15
R11108	1/4 G	6,5	14	19	8,5	11
R11109	3/8 G	9	14	22	9	13
R11110	1/2 G	12,5	18	24	10	14
R11111	1/2 G	12,5	18	27	10	14
R11112	5/8 G	14	22	27	10	16
R11113	3/4 G	16	22	32	10	15
R11114	3/4 G	16	22	36	10	17
R11115	1 G	20	28	36	10	18
R11116	1 G	20	28	41	10	18
R11117	1 1/4 G	30		46	10	20
R11117/E50	1 1/4 G	30		50	10	20
R11118	1 1/2 G	36	38,5	50	10	20
R11118/55	1 1/2 G	36		55	10	20
R11119	2 G	45		70	14	22

N.B. A richiesta tutti i raccordi del presente catalogo possono essere eseguiti con filetti diversi.

At your request every connections presented in this catalogue can be carried out with different threads.

NIPPLES DOPPI/DOUBLE NIPPLES

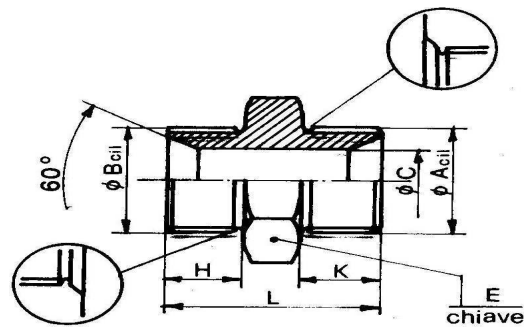


ARTICOLO	A	B	C	E	H	K	L
R11300	1/8 G	1/8 G	4,5	14	8	8	22
R11313	1/4 G	1/4 G	5	19	11	11	32
R11314	3/8 G	3/8 G	9	22	13	13	34
R11315	1/2 G	1/2 G	11	27	14	14	40
R11316	5/8 G	5/8 G	14	32	14	14	37
R11345	3/4 G	3/4 G	16	32	15	15	45
R11317	3/4 G	3/4 G	16	36	15	15	42
R11318	1 G	1 G	20	41	18	18	46
R11319	1 1/4 G	1 1/4 G	30	50	20	20	51
R11320	1 1/2 G	1 1/2 G	36	55	23	23	60
R11352	2 G	2 G	45	70	22	22	56
R11321	1/2 G	3/8 G	9	24	13	14	35
R11344	1/2 G	3/8 G	9	27	15	12	37
R11322	5/8 G	1/2 G	12	27	14	14	37
R11323	3/4 G	3/8 G	9	32	17	11	38
R11324	3/4 G	1/2 G	11	32	15	14	43
R11324/36	3/4 G	1/2 G	12	36	16	14	41
R11325	3/4 G	5/8 G	12	32	18	14	42
R11326	1 G	3/4 G	16	36	15	18	44
R11327	1 1/4 G	1 G	22	50	17	20	49
R11342	1/4 G	1/8 G	4	19	11	9	29
R11343	1/2 G	1/4 G	5	27	14	11	36
R11346	1 G	1/2 G	12	41	19	14	45
R11347	1 G	3/4 G	16	41	18	16	44
R11348	1 G	1 1/4 G	22	46	20	18	49
R11349	1 G	1 1/2 G	22	55	23	18	56
R11350	1 1/4 G	3/4 G	16	46	20	15	47
R11351	1 1/2 G	1 1/4 G	30	55	22	21	56
R11353	3/8 G	1/4 G	5	22	12	11	34
R11361	1/2 G	7/8 G	12	27	14	14	38
R11364	1/4 G	3/4 G	6	32	16	11	39
R11359	1 1/2 G	3/4 G	16	55	20	15	46
R11358	2 G	1 1/2 G	35	70	22	22	58
R11363	2 G	1 1/4 G	30	70	22	20	54

N.B. A richiesta tutti i raccordi del presente catalogo possono essere eseguiti con filetti diversi.

At your request every connections presented in this catalogue can be carried out with different threads.

NIPPLES DOPPI/DOUBLE NIPPLES

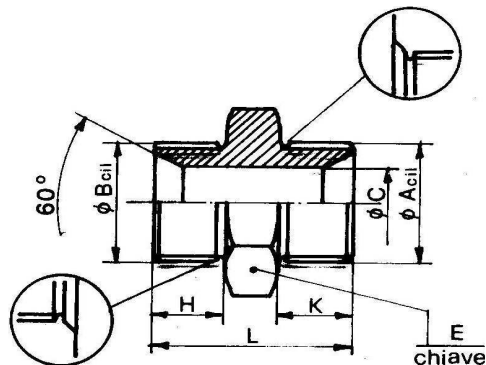


ARTICOLO	A	B	C	E	H	K	L
R11301	14 MB	14 MB	7	19	11	11	28
R11302	16 MB	16 MB	9	22	13	13	34
R11303	18 MB	18 MB	10	24	13	13	36
R11304	20 MB	20 MB	12	27	14	14	37
R11305	22 MB	22 MB	12	27	14	14	37
R11306	18 MB	22 MB	10	27	13	14	36
R11328	18 MB	14 MB	6	24	14	11	34
R11329	18 MB	16 MB	9	24	13	13	34
R11330	18 MB	20 MB	10	27	14	13	38
R11331	22 MB	16 MB	9	27	14	13	36
R11332	22 MB	20 MB	12	27	14	14	37
R11354	16 MB	14 MB	6	22	14	11	32
R11307	14 MB	3/8 G	7	22	13	11	31
R11308	16 MB	3/8 G	9	22	13	13	34
R11309	18 MB	3/8 G	9	24	13	13	34
R11310	18 MB	1/2 G	10	27	13	14	36
R11311	22 MB	1/2 G	12	27	14	14	37
R11312	22 MB	3/4 G	12	32	16	14	40
R11333	14 MB	1/4 G	7	19	11	11	30
R11334	14 MB	1/2 G	6,5	27	15	11	35
R11335	14 MB	3/4 G	6,5	32	15	13	38
R11336	16 MB	1/2 G	9	27	14	13	35
R11337	18 MB	1/4 G	6,5	24	13	11	31
R11338	18 MB	3/4 G	10	32	16	14	40
R11339	20 MB	1/2 G	12	27	14	14	36
R11340	22 MB	3/8 G	9	27	13	14	36
R11341	22 MB	1 G	12,5	41	18	14	42
R11356	26 MB	1/2 G	12,5	32	14	18	43
R11357	26 MB	3/4 G	17	32	17	17	43
R11360	20 MB	3/8 G	8	27	12	14	34
R11362	16 MB	1/4 G	6	22	10	13	30

N.B. A richiesta tutti i raccordi del presente catalogo possono essere eseguiti con filetti diversi.

At your request every connections presented in this catalogue can be carried out with different threads.

NIPPLES DOPPI/DOUBLE NIPPLES

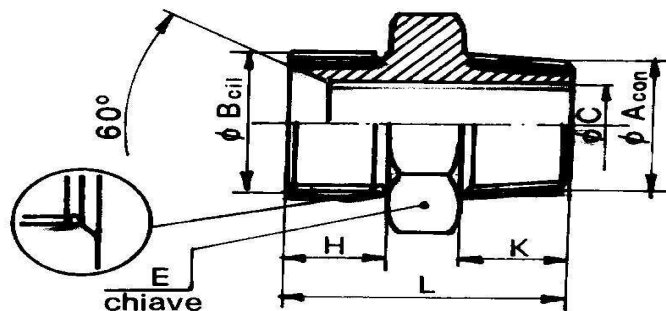


ARTICOLO	A	B	C	E	H	K	L
R11301	14 MB	14 MB	7	19	11	11	28
R11302	16 MB	16 MB	9	22	13	13	34
R11303	18 MB	18 MB	10	24	13	13	36
R11304	20 MB	20 MB	12	27	14	14	37
R11305	22 MB	22 MB	12	27	14	14	37
R11306	18 MB	22 MB	10	27	13	14	36
R11328	18 MB	14 MB	6	24	14	11	34
R11329	18 MB	16 MB	9	24	13	13	34
R11330	18 MB	20 MB	10	27	14	13	38
R11331	22 MB	16 MB	9	27	14	13	36
R11332	22 MB	20 MB	12	27	14	14	37
R11354	16 MB	14 MB	6	22	14	11	32
R11307	14 MB	3/8 G	7	22	13	11	31
R11308	16 MB	3/8 G	9	22	13	13	34
R11309	18 MB	3/8 G	9	24	13	13	34
R11310	18 MB	1/2 G	10	27	13	14	36
R11311	22 MB	1/2 G	12	27	14	14	37
R11312	22 MB	3/4 G	12	32	16	14	40
R11333	14 MB	1/4 G	7	19	11	11	30
R11334	14 MB	1/2 G	6,5	27	15	11	35
R11335	14 MB	3/4 G	6,5	32	15	13	38
R11336	16 MB	1/2 G	9	27	14	13	35
R11337	18 MB	1/4 G	6,5	24	13	11	31
R11338	18 MB	3/4 G	10	32	16	14	40
R11339	20 MB	1/2 G	12	27	14	14	36
R11340	22 MB	3/8 G	9	27	13	14	36
R11341	22 MB	1 G	12,5	41	18	14	42
R11356	26 MB	1/2 G	12,5	32	14	18	43
R11357	26 MB	3/4 G	17	32	17	17	43
R11360	20 MB	3/8 G	8	27	12	14	34
R11362	16 MB	1/4 G	6	22	10	13	30

N.B. A richiesta tutti i raccordi del presente catalogo possono essere eseguiti con filetti diversi.

At your request every connections presented in this catalogue can be carried out with different threads.

NIPPLES DOPPI/DOUBLE NIPPLES



CONICO/CILINDRICO-CONIC/CYLINDRICAL

ARTICOLO	A	B	C	E	H	K	L
R11401	1/4 G	1/4 G	7	17	10	12	32
R11402	3/8 G	3/8 G	9	19	15	12	32
R11403	1/2 G	1/2 G	12	24	19	14	41
R11404	3/4 G	3/4 G	16	27	19	17	46
R11405	1 G	1 G	20	36	20	25	55
R11406	3/4 G	1/2 G	12	27	14	16	41
R11407	3/8 G	1/2 G	8	24	14	15	37
R11408	1/4 G	3/8 G	6,5	17	14	12	34

CONICO/CONICO-CONIC/CONIC

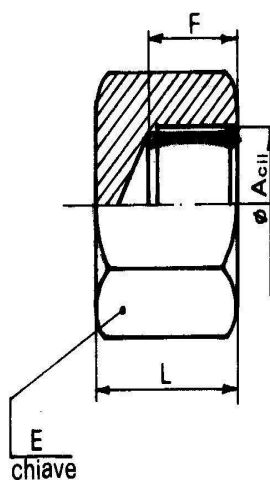
ARTICOLO	A	B	C	E	H	K	L
R11421	3/8 G	3/8 G	9	17	14	14	35
R11423	1/2 G	1/2 G	12,5	24	17	17	46
R11422	3/8 G	1/4 G					
R11424	1/2 G	3/8 G	8,5	24	17	15	41

N.B. A richiesta tutti i raccordi del presente catalogo possono essere eseguiti con filetti diversi.

At your request every connections presented in this catalogue can be carried out with different threads.

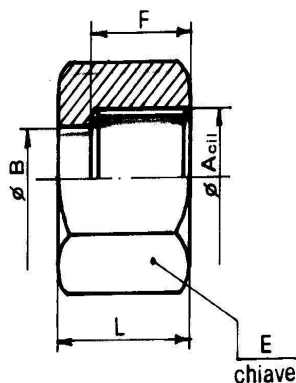
DADI CIECHI/BLIND NUTS

ARTICOLO	A	E	F	L
R11500	14 MB	19	16	22
R11499	16 MB	22	18	22
R11501	18 MB	24	19	26
R11502	20 MB	27	17	25
R11503	22 MB	27	17	24
R11504	24 MB	32	18	25
R11505	1/4 G	17	15	20
R11506	3/8 G	22	16	22
R11507	1/2 G	27	17	26
R11508	3/4 G	32	19	27
R11509	1 G	41	22	30
R11510	1 1/4 G	50	23	32
R11511	1 1/2 G	55	20	26
R11512	2 G	70	25	31

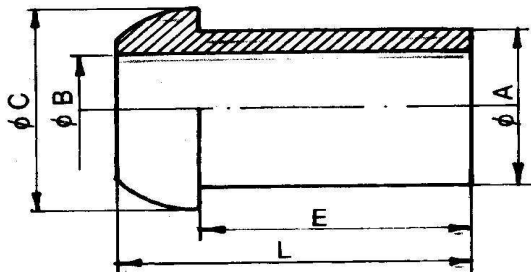


DADI FORATI/PIERCED NUTS

ARTICOLO	A	B	E	F	L
R11601	18 MB	14,3	24	15	19
R11602	20 MB	15,3	27	16	20
R11603	22 MB	17,3	27	16	22
R11604	24 MB	18,5	30	16	21
R11605	1/4 G	9,7	17	14	18
R11606	3/8 G	13,3	22	14	20
R11607	1/2 G	16,3	27	16	20
R11608	5/8 G	17,8	30	16	21
R11609	3/4 G	21,2	32	16	21
R11610	1 G	26,3	41	18	24
R11611	1 1/4 G	32	50	21	26
R11612	1 1/2 G	40,5	55	21	26

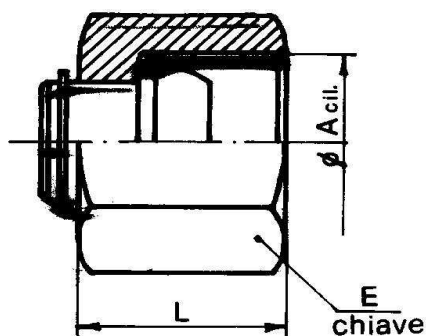


ANIME/CONNECTIONS PIPES



ARTICOLO	X DADO	A	B	C	E	L
R11201	18 MB	14	8	16	23	31
R11202	20 MB	15	9,5	18	20	28
R11203	22 MB	17	11,5	20	30	38
R11204	24 MB	18,3	13	21,5	32	40
R11205	1/4 G	9,5	6,5	11	20	27
R11206	3/8 G	13	8	14,5	23	31
R11207	1/2 G	16	11	18	30	38
R11208	5/8 G	17,5	12,5	20	30	38
R11209	3/4 G	21	15	23,8	30	38
R11210	1 G	26	20	30	41	49
R11211	1 1/4 G	31,5	24	38	40	50
R11212	1 1/2 G	40	32	44	40	50

DADI CON ANIMA CIECA MONTATA/NUTS WITH ASSEMBLED PLUG

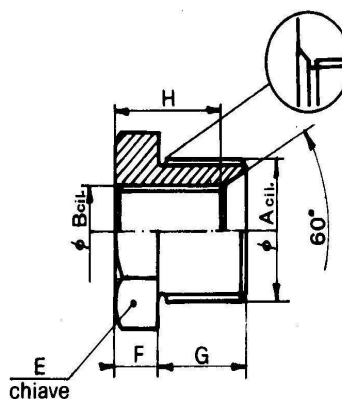


ARTICOLO	A	E	L
R11901	18 MB	24	19
R11902	20 MB	27	23
R11903	22 MB	27	24
R11904	24 MB	30	25
R11905	1/4 G	17	18
R11906	3/8 G	22	20
R11907	1/2 G	27	21
R11908	1 G	41	24
R11909	3/4 G	32	22
R11910	1 1/4 G	50	26

RIDUZIONI/REDUCTION

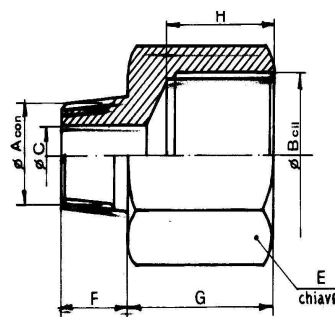
RIDUZIONI CILINDRICHE/CYLINDRICAL REDUCTIONS

ARTICOLO	A	B	E	F	G	H
R12001	3/4 G	18 MB	32	10	15	20
R12002	1/2 G	1/4 G	27	10	14	20
R12003	3/4 G	1/2 G	32	10	15	20
R12003/36	3/4 G	1/2 G	36	10	15	20
R12004	1 G	1/2 G	41	10	18	22
R12005	1 G	3/4 G	41	10	18	22
R12006	1 1/4 G	1 G	50	13	20	25
R12007	1 1/2 G	1 G	55	10	20	25
R12008	3/4 G	1/4 G	32	10	15	14
R12009	3/4 G	3/8 G	32	10	15	15
R12009/36	3/4 G	3/8 G	36	10	15	15
R12010	1 1/2 G	1 1/4 G	55	12	20	23
R12011	2 G	1 1/2 G	70	13	23	30
R12012	1 1/4 G	3/4 G	50	13	19	24
R12013	2 G	3/4 G	70	12	20	30
R12014	1/2 G	3/8 G	27	9	14	19
R12015	1/2 G	3/4 G	36	30	15	23
R12016	2 G	1 G	70	12	21	23
R12017	22 MB	16 MB	26	10	14	16



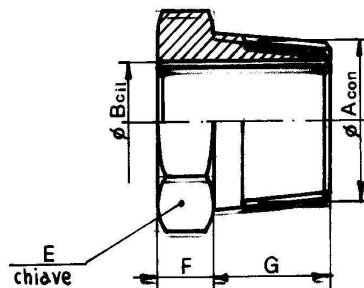
RIDUZIONI CON/CIL-CON/CYL REDUCTIONS

ARTICOLO	A	B	C	E	F	G	H
R12201	1/8 G	1/4 G	5	19	8	20	15
R12202	1/4 G	3/8 G	5	22	12	21	15
R12203	3/8 G	1/2 G	9	27	14	23	18
R12204	1/2 G	3/4 G	12	36	14	31	20
R12205	3/4 G	1 G	16	41	16	30	22



RIDUZIONI CON/CIL-CON/CYL REDUCTIONS

ARTICOLO	A	B	E	F	G
R12301	1/4 G	1/8 G	17	7	13
R12302	3/8 G	1/4 G	19	9	13
R12303	1/2 G	3/8 G	24	9	19
R12304	3/4 G	1/2 G	27	9	19
R12305	1 G	3/4 G	36	10	25
R12306	1/2 G	1/4 G	22	9	18
R12307	1 G	1/2 G	36	10	19



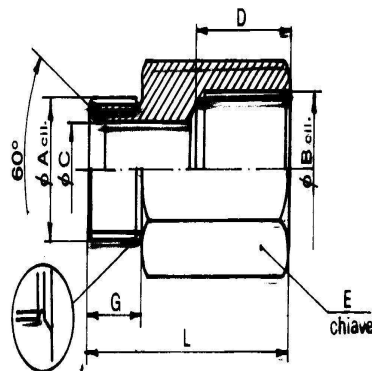
N.B. A richiesta tutti i raccordi del presente catalogo possono essere eseguiti con filetti diversi.

At your request every connections presented in this catalogue can be carried out with different threads.

PROLUNGHE/EXTENSIONS

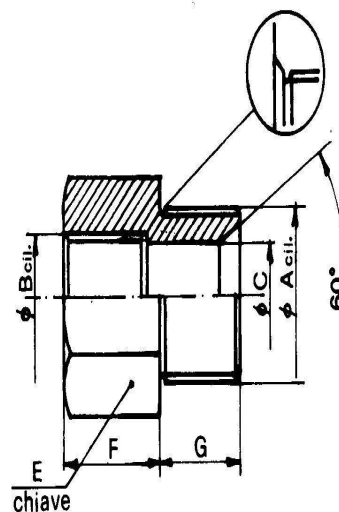
PROLUNGHE NORMALI/STANDARD EXTENSIONS

ARTICOLO	A	B	C	D	E	G	L
R12401	18 MB	18 MB	10	25	24	13	55
R12402	22 MB	22 MB	12	27	27	15	55
R12403	18 MB	22 MB	10	27	27	15	55
R12404	18 MB	3/8 G	10	25	24	13	53
R12405	18 MB	1/2 G	10	27	27	13	55
R12406	22 MB	1/2 G	12	27	30	15	55
R12407	1/4 G	1/4 G	7	15	19	12	42
R12408	3/8 G	3/8 G	9	25	24	13	53
R12409	1/2 G	1/2 G	12	27	27	15	54
R12409/HE50	1/2 G	1/2 G	12	27	27	15	65
R12410	3/4 G	3/4 G	16	30	32	15	65
R12410/36	3/4 G	3/4 G	16	30	36	15	65
R12411	1 G	1 G	20	30	41	18	76
R12412	1 1/4 G	1 1/4 G	30	30	55	18	78
R12413	1/2 G	3/4 G	12	30	32	15	55
R12414	3/4 G	1/2 G	16	27	32	16	55
R12415	3/8 G	18 MB	9	25	24	13	55
R12416	1/2 G	22 MB	12	27	27	15	55
R12417	1/2 G	18 MB	12	27	27	15	55
R12418	3/4 G OR	3/4 G	16	35	38	15	66
R12419	3/8 G	1/2 G	9	23	27	12	54



PROLUNGHE RIDOTTE/REDUCED EXTENSIONS

ARTICOLO	A	B	C	E	F	G
R12420	3/8 G	22 MB	9	27	22	13
R12090	22 MB	3/8 G	12	27	26	14
R12091	1/2 G	18 MB	12	27	21	14
R12097	3/4 G	1/2 G	16	32	26	14
R12098	1 G	3/4 G	20	41	30	18
R12099	1 1/2 G	1 1/4 G	36	55	37	20
R12100	1/4 G	1/4 G	6	19	18	11
R12101	3/8 G	1/2 G	9	27	24	12
R12102	1/2 G	3/8 G	12	27	22	14
R12103	3/8 G	3/8 G	9	24	20	12
R12104	1/2 G	1/2 G	12	27	24	14
R12105	1 G	1 1/4 G	22	55	37	18
R12106	3/8 G	1/4 G	9	22	20	14
R12107	1/4 G	3/8 G	6	22	20	12
R12108	3/4 G	1 G	16	41	29	16
R12109	3/4 G	3/4 G	16	36	30	16
R12110	14 MB	1/4 G	7	19	19	12
R12111	1/4 G	1/2 G	6	27	23	11
R12113	1 G	1 G	20	41	45	19
R12114	1 1/4 G	1 1/4 G	30	55	30	17



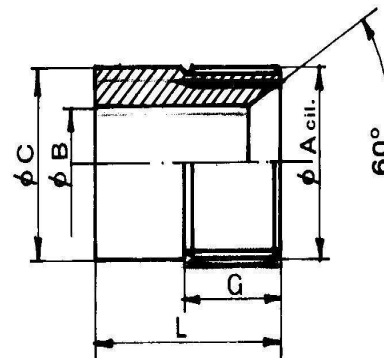
N.B. A richiesta tutti i raccordi del presente catalogo possono essere eseguiti con filetti diversi.

At your request every connections presented in this catalogue can be carried out with different threads.

TUBETTI E MANICOTTI/PIPES AND SLEEVES

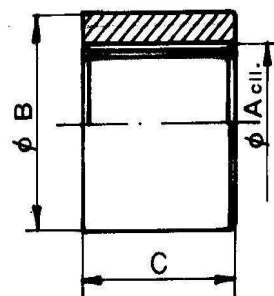
TUBETTI A SALDARE/SOLDERING PIPES

ARTICOLO	A	B	C	G	L
R12501	14 MB	7	14	13	26
R12502	16 MB	9	16	13	26
R12503	18 MB	10	18	11	24
R12504	20 MB	11	20	14	28
R12505	22 MB	12	22	15	30
R12506	26 MB	16	27	15	30
R12515	1/8 G	4	10	9	20
R12507	1/4 G	7	14	13	26
R12508	3/8 G	9	17	14	28
R12509	1/2 G	12	21	15	30
R12510	5/8 G	14	22	15	36
R12511	3/4 G	16	27	15	30
R12512	1 G	20	33	17	34
R12513	1 1/4 G	30	42	20	40
R12514	1 1/2 G	36	48	20	40



MANICOTTI A SALDARE/SOLDERING SLEEVES

ARTICOLO	A	B	C
R12601	14 MB	20	18
R12602	16 MB	24	20
R12603	18 MB	27	23
R12653	18 MB	27	35
R12604	20 MB	27	24
R12605	22 MB	32	24
R12620	1/8 G	17	10
R12606	1/4 G	20	20
R12651	1/4 G	20	12
R12606/14	1/4 G	20	14
R12606/16	1/4 G	20	16
R12607	3/8 G	24	22
R12650	3/8 G	24	15
R12650/17	3/8 G	24	17
R12654	3/8 G	27	40
R12608	1/2 G	32	25
R12609	3/4 G	38	25
R12610	1 G	46	28
R12611	1 1/4 G	56	30
R12612	1 1/2 G	60	30
R12621	2 G	75	30



ALTEZZA FIL.30MM

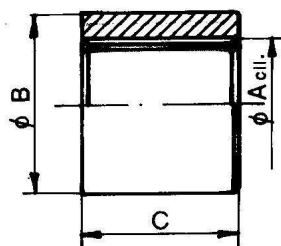
N.B. A richiesta tutti i raccordi del presente catalogo possono essere eseguiti con filetti diversi.

At your request every connections presented in this catalogue can be carried out with different threads.

MANICOTTI / SLEEVES

MANICOTTI DOPPI/DOUBLE SLEEVES

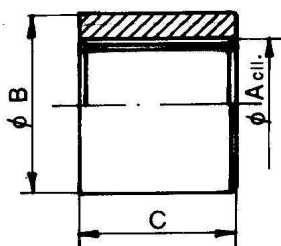
ARTICOLO	A	B	C
R12622	1/8 G	17	15
R12619	1/4 G	20	35
R12613	3/8 G	24	35
R12614	1/2 G	32	38
R12615	3/4 G	38	41
R12616	1 G	46	50
R12617	1 1/4 G	55	50
R12618	1 1/2 G	60	54



R12671	1/4 GX3/8 G ESAGONALI
--------	-----------------------

MANICOTTI CIECHI/BLIND SLEEVES

ARTICOLO	A	B	C
R12630	1/4 G	20	25
R12631	3/8 G	24	30
R12633	3/8 G	24	35
R12636	3/8 G	24	25
R12632	1/2 G	32	30
R12635	1/2 G	32	40

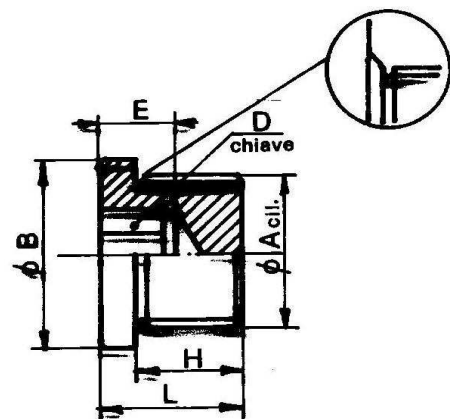


N.B. A richiesta tutti i raccordi del presente catalogo possono essere eseguiti con filetti diversi.

At your request every connections presented in this catalogue can be carried out with different threads.

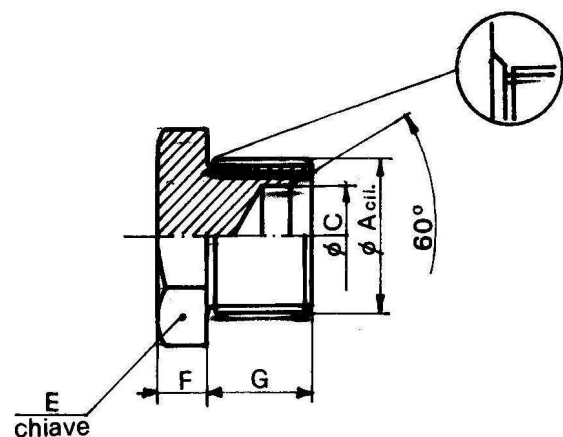
TAPPI MASCHIO CAVA ESAG./PLUGS MALE

ARTICOLO	A	B	D	E	H	L
R11701	10X1M	14	5	7	8	11
R11702	12 MB	17	6	7,5	12	15
R11703	14 MB	18	6	7,5	12	15
R11704	16 MB	21	8	8	12	15
R11705	18 MB	24	8	9	14	18
R11706	20 MB	25	10	9	14	18
R11707	22 MB	27	10	9	14	18
R11708	1/8 G	14	5	7	8	11
R11709	1/4 G	18	6	9	12	15
R11710	3/8 G	22	8	11,5	12	15
R11711	1/2 G	27	10	10	14	18
R11712	5/8 G	27	10	9	15	19
R11713	3/4 G	32	12	12	16	20
R11714	1 OR	46	12	12	16	26



TAPPI MASCHIO ESAGONO EST./PLUGS MALE EXTERN.HEXAGON

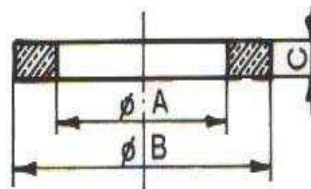
ARTICOLO	A	C	E	F	G
R11798	14 MB	6	19	7	11
R11799	16 MB	8	21	8	13
R11800	18 MB	10	24	10	13
R11796	20 MB	12	27	10	14
R11797	22 MB	12	27	9	14
R11801	1/4 G	7	19	8	12
R11802	3/8 G	9	24	8	12
R11809	3/8 G	9	22	8	12
R11803	1/2 G	12	27	10	14
R11804	3/4 G	16	32	10	16
R11805	1 G	20	41	12	18
R11806	1 1/4 G		50	12	20
R11807	1 1/2 G		55	12	20
R11808	2 G	43	70	14	22



RONDELLE/WASHER

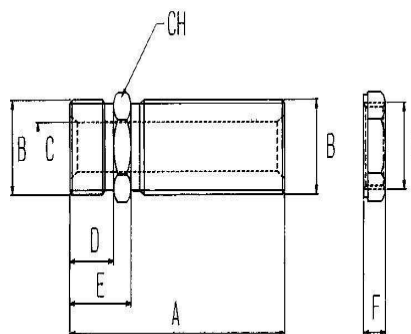
RONDELLE IN RAME RICOTTO/SOFT COPPER WASHER

ARTICOLO	FILETTO	A	B	C
R12716	12 MB	12	16	1,5
R12707	14 MB	14	18	1,5
R12712	16 MB	16	22	1,5
R12708	18 MB	18	24	1,5
R12713	20 MB	20	26	1,5
R12709	22 MB	22	28	1,5
R12700	24 MB	24	30	1,5
R12715	26 MB	26	32	1,5
R12701	1/8 G	10	14	1,5
R12702	1/4 G	13,5	19	1,5
R12703	3/8 G	17	22	1,5
R12704	1/2 G	21,5	27	1,5
R12705	3/4 G	27,3	33	1,5
R12706	1 G	33	40	1,5
R12710	1 1/4 G	42	50	1,5
R12711	1 1/2 G	48	60	1,5
R12714	2 G	60	71	1,5



RONDELLE ACCIAIO GOMMA/BONDED SEALS

ARTICOLO	FILETTO	A	B	C
R12751	1/8 G			
R12752	1/4 G	14,5	20,5	2
R12753	3/8 G	17,5	24	2
R12754	1/2 G	22	28,5	2,5
R12755	3/4 G	27,5	35	2,5
R12756	1 G	35	43	3



RACCORDO PASSAPARETE/PASSING PANEL FITTING

ARTICOLO	A	B	C	D	E	F	CH
R12801	53	1/4 G	7	12	20	7	19
R12802	61	3/8 G	9	12	20	10	24
R12803	64	1/2 G	12	15	24	10	27
R12804	64	3/4 G	16	16	25	10	32
R12805	120	1 G	22	25	60	11	41
R12811	60	22 MB					
R12812	60	18 MB					

N.B. A richiesta tutti i raccordi del presente catalogo possono essere eseguiti con filetti diversi.

At your request every connections presented in this catalogue can be carried out with different threads.

I RACCORDI IN ACCIAIO AL CARBONIO

Sono impiegati da tempo in ogni tipo di applicazione industriale con piena soddisfazione tecnica da parte degli utilizzatori di tutto il mondo.

Le avanzate tecnologie siderurgiche garantiscono una qualità costante delle materie prime in genere e degli acciai specifici per impieghi mirati. La lavorabilità dell'acciaio al carbonio non pone problemi nella esecuzione del prodotto finito. Nell'utilizzo di raccorderia eseguita con acciaio al carbonio bisogna comunque rispettare alcune regole base.

ISTRUZIONI GENERALI VALIDE PER TUTTI I TIPI DI RACCORDI

- I raccordi di questo catalogo possono essere impiegati esclusivamente per collegamenti fluido dinamici.
- Non è consentito accoppiare componenti in acciaio al carbonio con componenti in acciaio inossidabile.

ACCIAI IMPIEGATI PER TUTTA LA SERIE

Raccordi diritti ricavati da barre : 9SMnPb36 – 9SMnPb28

UNI 4838

Raccordi a 90 e T forgiati a caldo : 9SMnPb36,9SMnPb28,9SMn36,9SMn28

UNI 4838

TEMPERATURE DI UTILIZZO DEGLI ACCIAI AMMESSE

DA -20° C A +120° C secondo ISO 8434

TENUTA SULLE FILETTATURE TERMINALI

Per ottenere il massimo della prestazione il filetto maschio conico deve essere accoppiato con filettatura femmina conica ; il filetto maschio cilindrico deve essere accoppiato con filettatura femmina cilindrica con utilizzo in questo caso di guarnizioni piane in rame o in acciaio-gomma (bonded seals)

E' possibile praticare l'accoppiamento di una filettatura maschio conica con filettatura femmina cilindrica ma questa combinazione è tecnicamente valida solo in presenza di un impianto ove siano richieste prestazioni medio basse e mai in presenza di alte pressioni.

FATTORI DI SICUREZZA

Le pressioni nominali di esercizio (bar) riportate nelle tabelle rappresentano la pressione massima consentita (inclusi i picchi di pressione) Per utilizzare caratteristiche superiori ai valori indicati bisogna eseguire delle prove relative all'impiego previsto, in accordo con il costruttore.

TABELLA PRESSIONI DI ESERCIZIO RACCORDERIA RIGIDA RICAVATA DA STAMPATO A CALDO

codice	descrizione	misura	pressione di esercizio (BAR)	pressione di scoppio
R10101	ADATTATORE A T MASCHIO FIL. CILINDRICO	1/4 GAS	400	1200-1600
R10102		3/8 GAS	400	1200-1600
R10103		1/2 GAS	350	1050-1400
R10104		3/4 GAS	300	900-1200
R10105		1 GAS	250	750-1000
R10201	ADATTATORI A T FEMMINA FIL. CILINDRICO	1/4 GAS	350	1050-1400
R10202		3/8 GAS	250	750-1000
R10203		1/2 GAS	225	675-900
R10204		3/4 GAS	200	600-800
R10205		1 GAS	160	480-640
R10301	ADATTATORI A 90° MASCHIO FIL. CON/CIL	1/4 GAS	350	1050-1400
R10302		3/8 GAS	250	750-1000
R10303		1/2 GAS	225	675-900
R10304		3/4 GAS	200	600-800
R10305		1 GAS	160	480-640
R10401	ADATTATORI A 90° FEMMINA FIL. CILINDRICO	1/4 GAS	350	1050-1400
R10402		3/8 GAS	250	750-1000
R10403		1/2 GAS	225	675-900
R10404		3/4 GAS	200	200-800
R10405		1 GAS	160	480-640